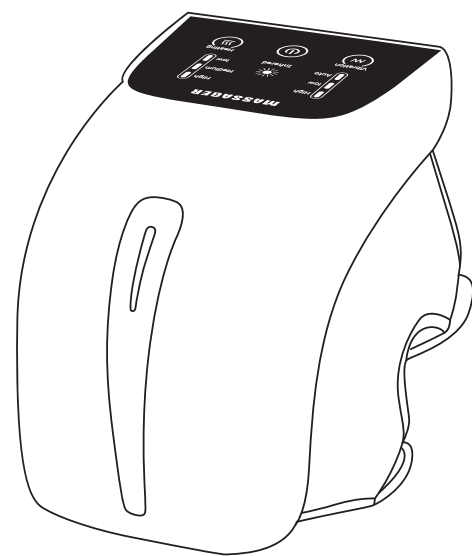


### Knee Massager

User's manual

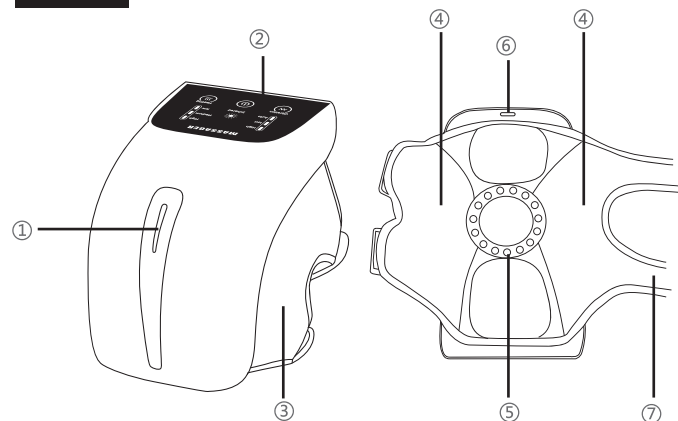


Before using this product, please read it carefully and keep it properly

### Product Introduction

Thank you for using the smart knee massager. This product allows you to perform knee vibration massage and hot compresses according to your needs anytime, anywhere, and relieve knee pressure and fatigue.

#### Structure



#### Features

- ①: Indicator light
- ②: LED light touch screen
- ③: Mesh cloth
- ④: Vibration
- ⑤: Red light
- ⑥: Type-c charging port
- ⑦: Adjust the Velcro straps

#### Parameter

- Rated voltage: 3.7V =
- Battery capacity: 3000mAh
- Rated Power: 5W
- Input current: DC5V = 2A

### Product description

#### Button panel introduction

- LED light touch screen, clearly visible and easy to operate
- Ergonomic design, fully wrapped to fit the knee joint
- Built-in infrared red light, constant temperature hot compress
- Each time the button is touched, the buzzer prompts the function
- 10 minutes timed automatic massage
- Low-end heating is 40°C, middle-end heating is 50°C, and high-end heating is 55°C

#### Instructions

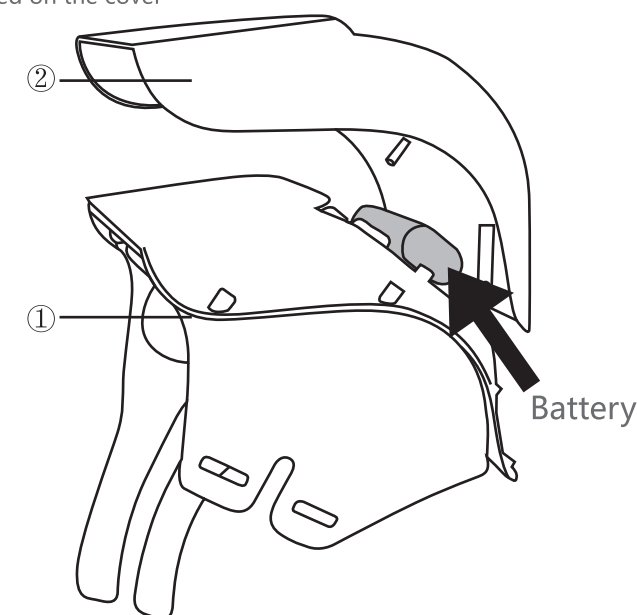
1. Put the product on your knees, fasten the product on your knees with a fixing belt, and tighten the fixing belt after the product fits your knees.
2. Long press "⏻" to turn on.
3. After the product is turned on, the corresponding mode lights up in white.
4. In the power-on state:
  - Short press "⏻" to adjust the vibration mode.
  - Short press "⏻" to adjust the heating temperature.
  - Short press "⏻" to select red light.
5. Long press "⏻" to shut down.

#### Recharge

1. Before the first use, please fully charge the product, and charging time about 3-4 hours
  2. It is not recommended to completely drain the battery
  3. When the battery red light, please charge in time
- Connect the Type-c cable to the power jack when charging
  - Plug into 1.2A USB adaptor to connect to the outlet.

### Battery removal diagram

1. Unscrew the screws at the bottom of the host
2. Open the cover structure and take out the battery fixed on the cover



- The main unit (including lithium battery) and accessories of this product have reached the end of their service life. Please do not discard them randomly, otherwise electronic waste will be generated to pollute the environment. Before discarding the product, the battery must be removed from the product; when removing the battery, the product must be disconnected Power; the battery should be disposed of safely when removed.

### Precautions and maintenance

#### Use safety notice

- The following must be understood before use, otherwise it may cause damage or danger!
- Have leg nerve disorder or skin sensory disorder.
  - Inject metal, silicone or plastic material into the knee due to fracture or surgery
  - Persons whose skin does not have the ability to sense heat
  - People who have knee sequelae due to traffic accidents, etc.
  - Persons with implanted medical electronic devices that are easily affected by electromagnetic failures such as cardiac pacemakers
  - Persons who are considered to have lost temperature perception
  - Persons with malignant tumors
  - Persons with heart disease
  - Those who are unstable at the beginning of pregnancy or shortly after giving birth
  - Diabetes causes perceptual impairment
  - Persons with scars on the skin
  - Osteoporosis, severe fracture, sprain, muscle pain, acute pain should be used under the guidance of a doctor
  - This product is not a medical device and is not recommended for medical use.
  - This product contains lithium battery, please do not disassemble, modify, immerse in water or throw into fire by yourself, otherwise it may cause damage to the product.

#### Use safety notice

- If the following situations occur, please turn off the machine immediately and contact the designated service center of the machine.
- If severe pain occurs during massage, please stop the massage immediately and seek medical advice.
  - If any mechanical failure or abnormal condition is detected during use, please stop using it immediately.

### Precautions and maintenance

#### Precautions

- It is forbidden to stuff debris into the gap of the massager.
- It is forbidden to spill liquid on the product to avoid short circuit and accident.
- Do not plug or unplug the charging cable with wet hands.
- Do not use accessories and accessories that are not recommended.
- Do not use this product outdoors or in high temperature and humid environments.
- Do not participate in any strenuous exercise after wearing the product.
- It is forbidden to lie down or sit on the product.
- It is forbidden to bring huge impact and load to the product.
- It is forbidden to use it while sleeping.

#### Instrument maintenance and storage and transportation

- Cleaning: Wipe with a soft and dry cloth. Do not wet the host. Do not wipe the host with a wet towel to prevent water from leaking into the host. Do not wipe with thinner, gasoline or other easy-to-use liquids. After stopping use, you should press and hold the power button for a long time to turn off the instrument. After the instrument dissipates normally, plastic bags can be used for storage.
- Storage and storage: Keep the instrument out of the reach of children, away from humidity, high temperature, direct sunlight and water splashes. Do not disassemble, repair, or replace without authorization; parts may cause accidents and malfunctions. If the device is not used for a long time, the product should be charged once a month to prevent the battery life from shortening
- Transportation: The product is designed with simple anti-vibration facilities, please avoid large shaking during transportation. It is forbidden to throw, fall, rain, snow and expose to the sun.

### Precautions and maintenance

Use failure	The reason	Solution
Product cannot normal work	The product has just completed a 10-minute timer massage and automatically switches to standby	Please press the power switch again to restart
	Too long use time causes the product to overheat and automatically cut off the power	Reuse the product after it has cooled
Product does not heat	When used outside the recommended ambient temperature range, the heating effect is not obvious	Recommended for use at an ambient temperature of 15-35 degrees Celsius
Product abnormal sound	This sound is caused by the mechanical structure of the product.	This sound is normal and does not mean that the product function is malfunctioning
Stop during operation	The battery is exhausted	Connect the charging cable to charge
	Timed massage automatically stops after 10 minutes	Restart

#### Transport environment

- Temperature: -20°C ~ +50°C
- Relative humidity: ≤90%
- Atmospheric pressure: 70kPa ~ 106kPa

#### Working environment

- Temperature: +5°C ~ +40°C
- Relative humidity: ≤80%
- Atmospheric pressure: 86kPa ~ 106kPa