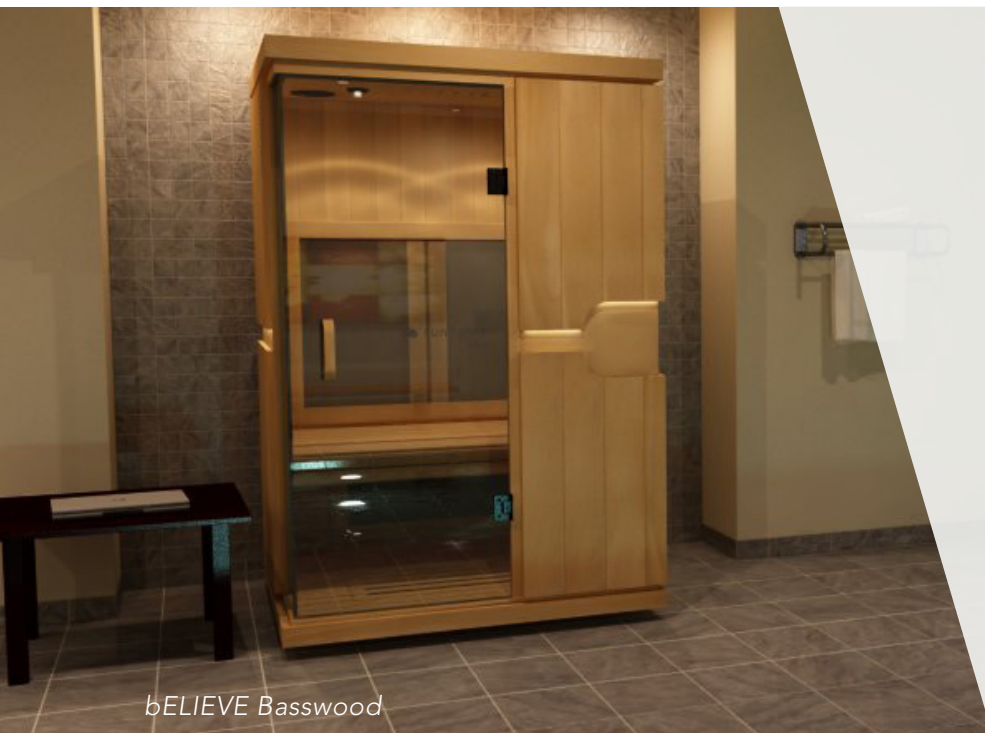




sunlighten™
empowering wellness™



bELIEVE Basswood

mPulse® bELIEVE

bELIEVE in the possibilities as you sweat away calories in this two-person smart infrared sauna. Experience stress-free sessions and enjoy the NEW 10.1" Android control panel while the soothing heat provides a host of health benefits.

SPECIFICATIONS

Exterior

51.7" W x 47.6" D x 78.6" H* / 28" door width

Interior

45.7" W x 41.6" D x 71.5" H / 21.8" bench depth

Weight

Up to 690 lbs.

Electrical

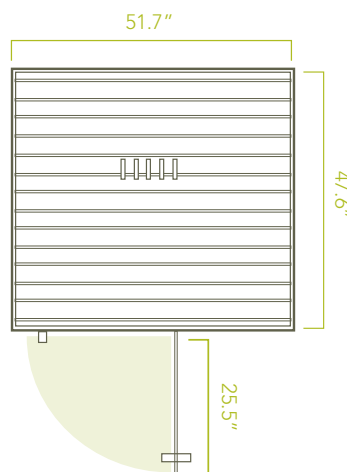
120v; 2400 watts max, 1920 watts continuous; 20a (20A outlet)

DEDICATED 120V 20A CIRCUIT AND OUTLET REQUIRED.
SEE IMAGE 1 FOR REFERENCE

9' cord exits from back left of base



ELECTRICALLY CERTIFIED



Wood Options



Basswood



Cedar



Eucalyptus



- ▶ 6 one-touch, preset health programs to help achieve desired result
- ▶ 10.5" Android-powered control panel
 - ▶ Clinically-backed near, mid & far infrared health benefits



mPulse Believe Panels

For seamless craftsmanship, each wall of the Believe consists of one large wooden panel:

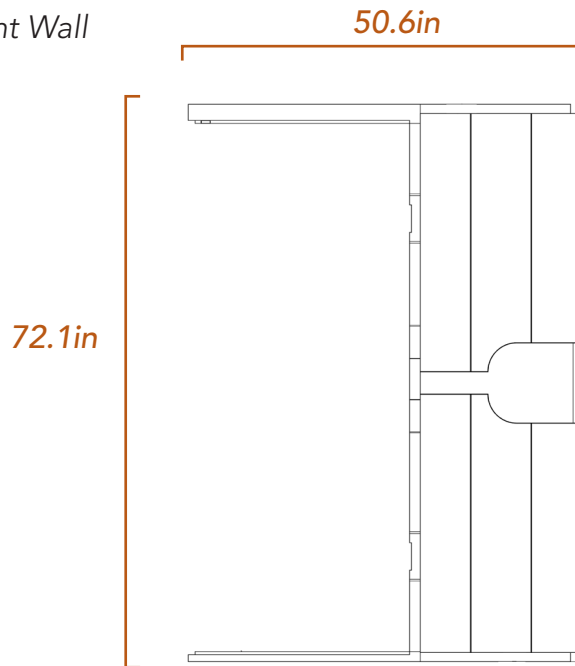
- Roof & Floor Panels
51.7"x47.6"x2.75" thick (see diagram)
- Back & Front Panels
50.6"x72.1"x2.75" thick (see diagram)
- Side Panels 46.5"x72.1"x2.75" thick

Important Note: All eucalyptus models have a solid wood floor; no floor heaters included.

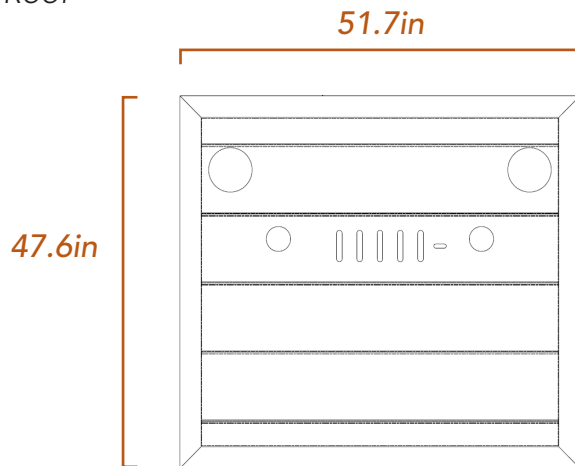
Fitting into your home:

Because of the large panel size, it is important to ensure there is enough space through the doors and pathways to the sauna's location in your home. Standard doors in the US are 30" to 36" wide, and 6' to 8' tall. Please measure any doorway or hallway needed prior to purchase.

Front Wall



Roof



The mPulse Series is the only sauna series to offer near, mid and far infrared technology for targeted results. Featuring a 10.1" Android control panel, 6 wellness programs, highest quality eco-friendly wood options (hypoallergenic basswood, western Canadian cedar and eucalyptus), Magne-Seal assembly and ergonomic, floating benches, the mPulse is the smartest sauna on the planet.